



PERIPHERAL IMPELLER PUMPS CP series



HYGIENE



BIOTECHNOLOGY

Closed coupled single stage peripheral impeller pumps suitable for clean, non abrasive liquids without solids and viscosities up to max. 250 cP.

The special design of casing and impeller is suitable for duties with medium-high heads and low flow rates.

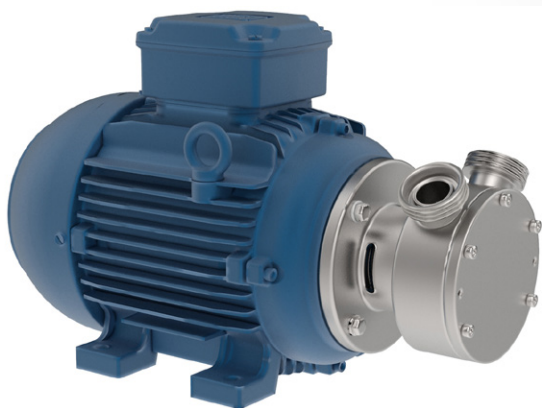
The pulsation-free flow is suitable for liquid dosing, laboratory micro installations, spraying and in-line measurement systems.

Wetted parts from AISI 316L (1.4404) stainless steel rolled bar, electro-chemically polished for a perfect surface finish.



CP pump with shroud and stainless steel adjustable feet

Pump with B34 motor



Applications:

Food processing, dairy, beverage and syrups, oils, liqueurs and CIP duties.

Chemical industry, acid and basic solutions.

Cosmetic and pharmaceutical industry.

TECHNICAL DATA

Flow rates up to 6 m³/h
Heads up to 100 m
Maximum operating pressure 6 bar up to 100°C
Temperature range -10°÷ +100°

Mechanical seals:

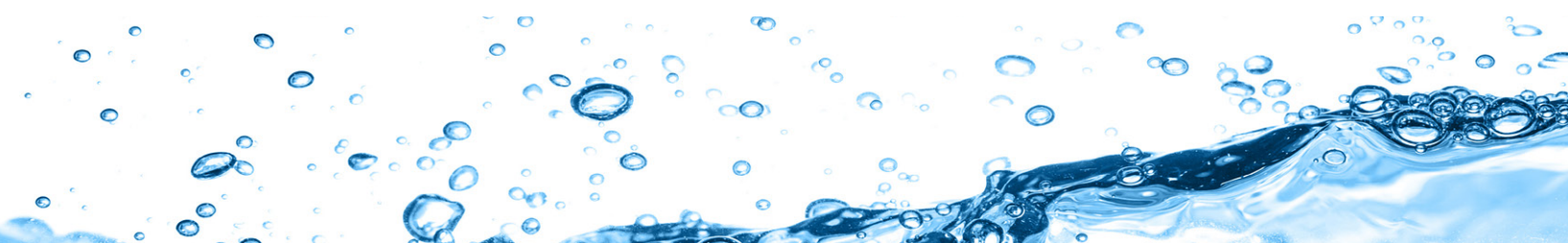
Mechanical seals standardized to EN 12756, ISO 3069 standards
Single internal seal
Double flushed sea

Elastomers (FDA Regulation (EC) No. 1935/2004):

Nitrile (NBR)
Ethylene propylene (EPDM)
Special fluorocarbon seal
Fluorocarbon seal (FPM - FKM)
FEP
FFPM - FFKM
Silicone

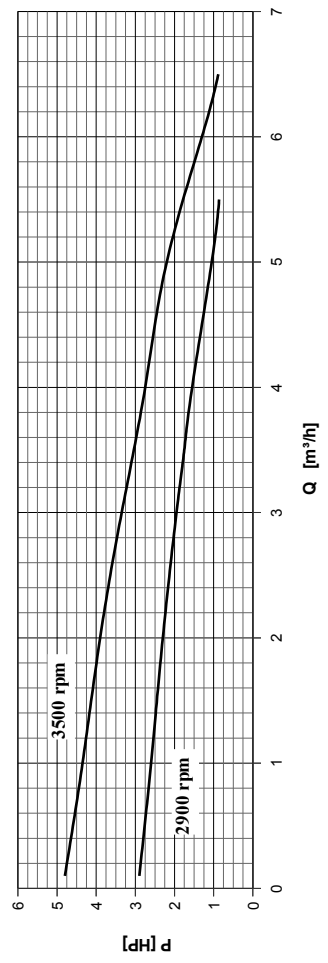
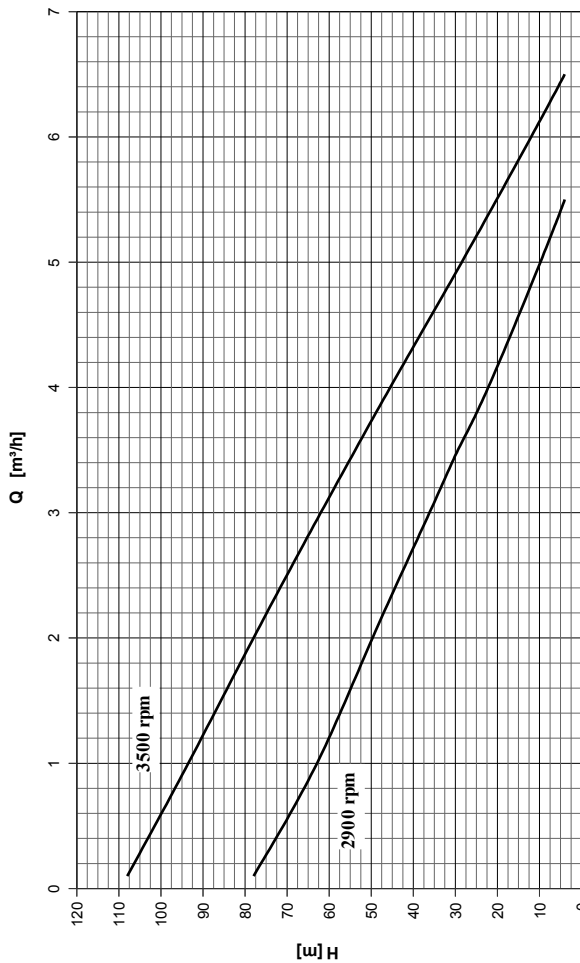
Connections:

DIN - SMS - IDF - BS / RJT - DS - CLAMP suitable for all international standards.

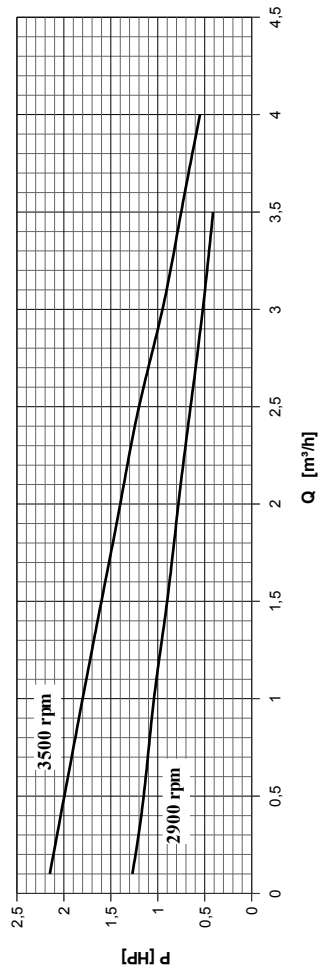
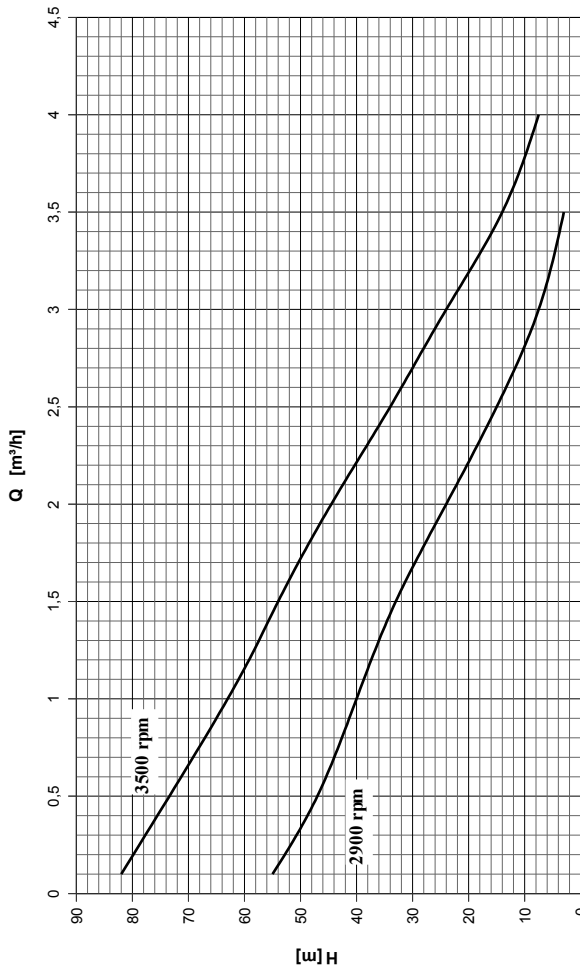


PERFORMANCE CURVES

POMPA TIPO <i>Pump type</i>		CP 25		n 2900/3500	giri/min <i>r.p.m.</i>
GIRANTE ----- <i>Impeller</i>					
TIPO <i>Type</i>	N° di pale <i>n° of blades</i>	Pass. sferico <i>max. sphere</i>	Ø max <i>max. diameter</i>	Ø min <i>min. diameter</i>	Bocche tipo <i>Ports type</i>
APERTA	32	80 mm	80 mm	--- mm	DIN 11851
		Bocche aspir. <i>Suction port</i>	DN 25		
		Bocche mand. <i>Discharge port</i>	DN 25		
CARATTERISTICHE DI FUNZIONAMENTO CON ACQUA PULITA A 20 °C - PESO SPECIFICO 1 Kg/dm ³ <i>Curves show performance with clear water at 70 °F - Specific gravity 1 Kg/dm³</i>					



POMPA TIPO <i>Pump type</i>		CP 15		n 2900/3500	giri/min <i>r.p.m.</i>
GIRANTE ----- <i>Impeller</i>					
TIPO <i>Type</i>	N° di pale <i>n° of blades</i>	Pass. sferico <i>max. sphere</i>	Ø max <i>max. diameter</i>	Ø min <i>min. diameter</i>	Bocche tipo <i>Ports type</i>
APERTA	36	--- mm	74 mm	--- mm	DIN 11851
		Bocche aspir. <i>Suction port</i>	DN 15		
		Bocche mand. <i>Discharge port</i>	DN 15		
CARATTERISTICHE DI FUNZIONAMENTO CON ACQUA PULITA A 20 °C - PESO SPECIFICO 1 Kg/dm ³ <i>Curves show performance with clear water at 70 °F - Specific gravity 1 Kg/dm³</i>					



Peripheral impeller made from AISI 316L (1.4404) stainless steel rolled bar. On request special anti-friction stainless alloy is available.

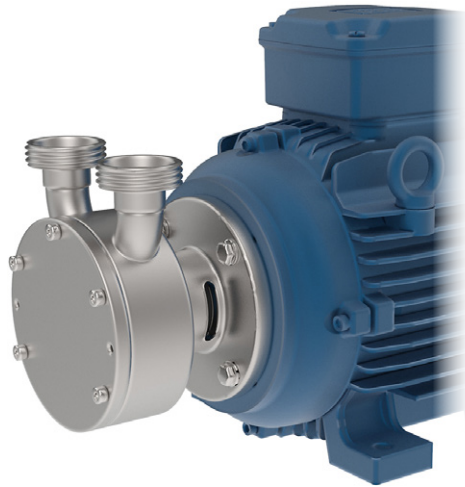


EXECUTION

**“V”
STANDARD**



**“T”
WITH HORIZONTAL PORTS**



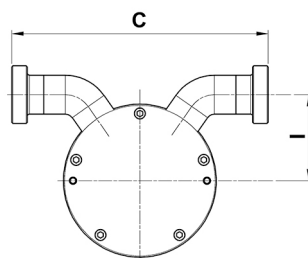
**“U”
WITH VERTICAL PORTS**

OVERALL DIMENSIONS

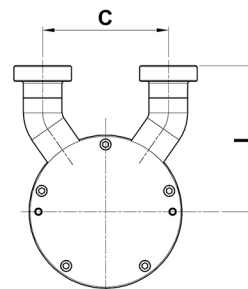
Dimensions not binding - DN = DIN 11851 male threaded connections, with standard IEC/EN motors

PORTS VERSIONS

Horizontal ports		
	I	C
CP 15	60,5	157,5
CP 25	72	202,2

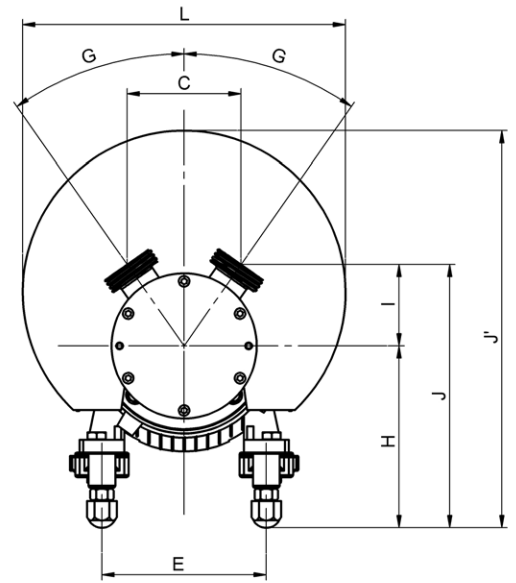
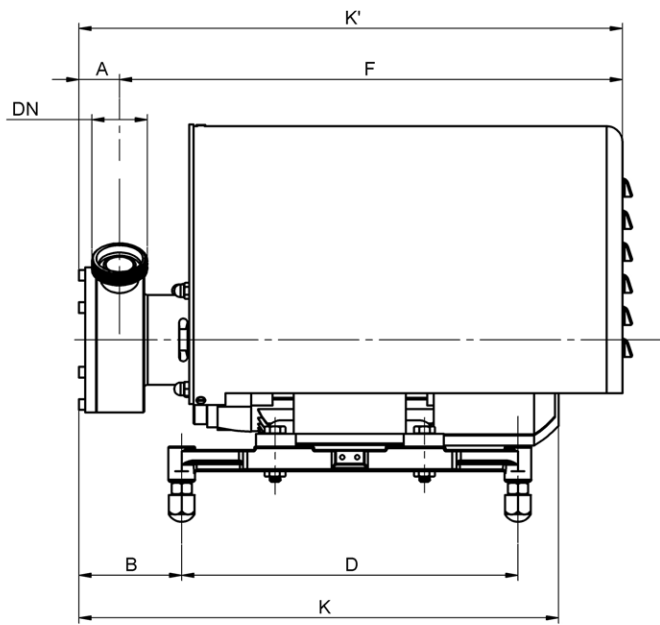


HORIZONTAL

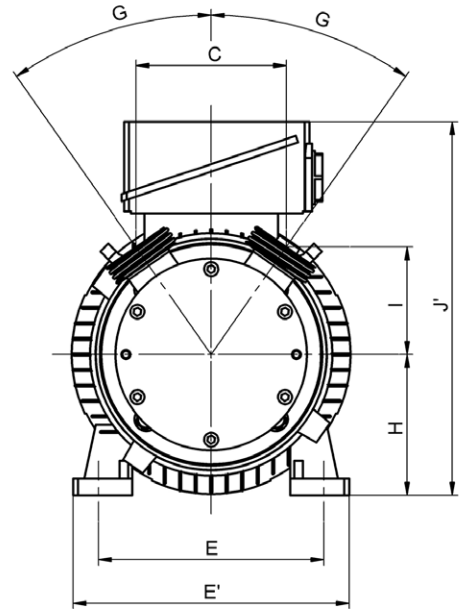
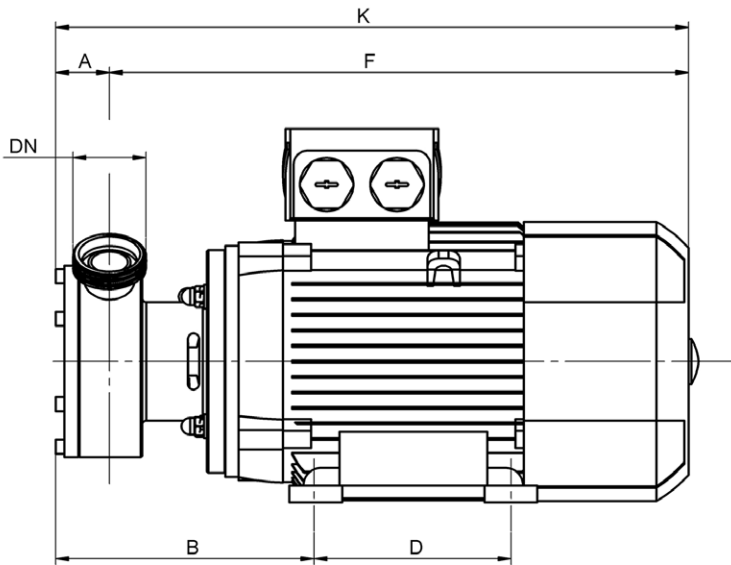


VERTICAL

Vertical ports		
	I	C
CP 15	85,5	77,5
CP 25	107	90,5



Pumps	Motors Kw	DNa	DNm	A	B	C	D	E	F	G	H	K	K'	I	J	J'	L							
CP 15	1,1	15	15	32	107	90,5	270	140	400	35°	158	400	433	63,5	221,5	361	302,5							
	1,5																							
	2,2																							
CP 25	2,2	25	25	39	104,5	107	270	140	402									158	400	440	76	234	361	302,5
	3				315		154		472															
	4				170		450		510															



Pumps	Motors Kw	DNa	DNm	A	B	C	D	E	E'	F	G	H	K	ØR	I	J					
CP 15	1,1	15	15	32	179	90,5	125	140	170	362	35°	90	395	10	63,5	218					
	1,5																				
	2,2																				
CP 25	2,2	25	25	39	176	107	125	140	170	365							100	450	12	76	246
	3				140		160		193	411											
	4				183,5		160		193	411											



C.S.F. Inox S.p.A. Strada per Bibbiano, 7 - 42027 Montecchio E. (RE) - ITALY EU

Ph +39.0522.869911 r.a. - Fx +39.0522.865454 - italia@csf.it - www.csf.it

Export Department • Commercial Étranger • Comercial Extranjero

Ph +39.0522.869922 - Fx +39.0522.869841 - export@csf.it - www.csf.it



All the instructions, data and representations (in whatever way executed) listed in this publication are indicative and do not binding. C.S.F. does not stand surely or undertake any obligation for the utilisation of this document and for the information contained. In particular, it does not guarantee against omissions or errors of the data and drawings here indicated. Notice that the technical specifications, information and representations in this document are merely indicative and approximate. C.S.F. INOX reserves the right at any moment and without notice to modify the data, drawings and information indicated in this document.