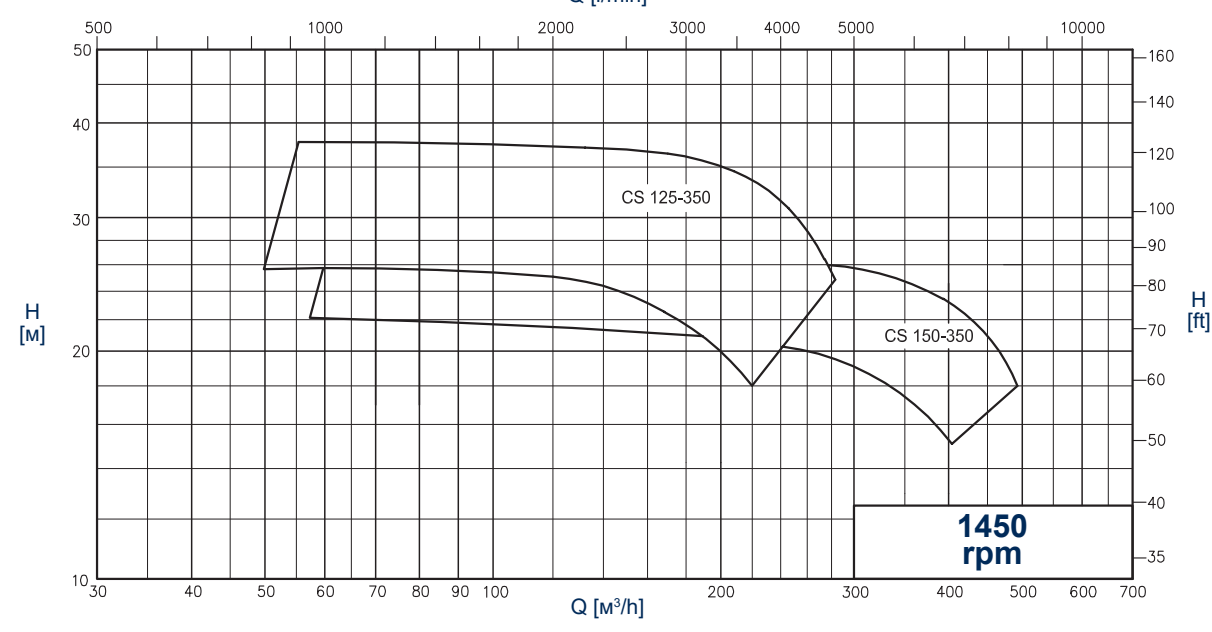
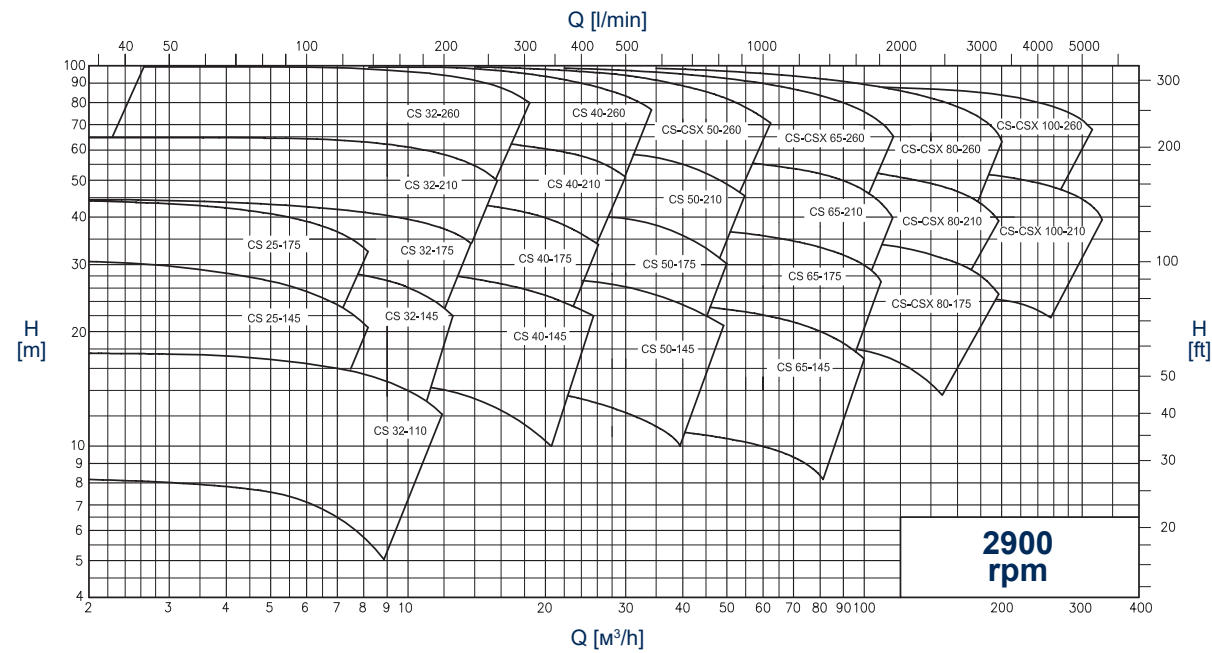
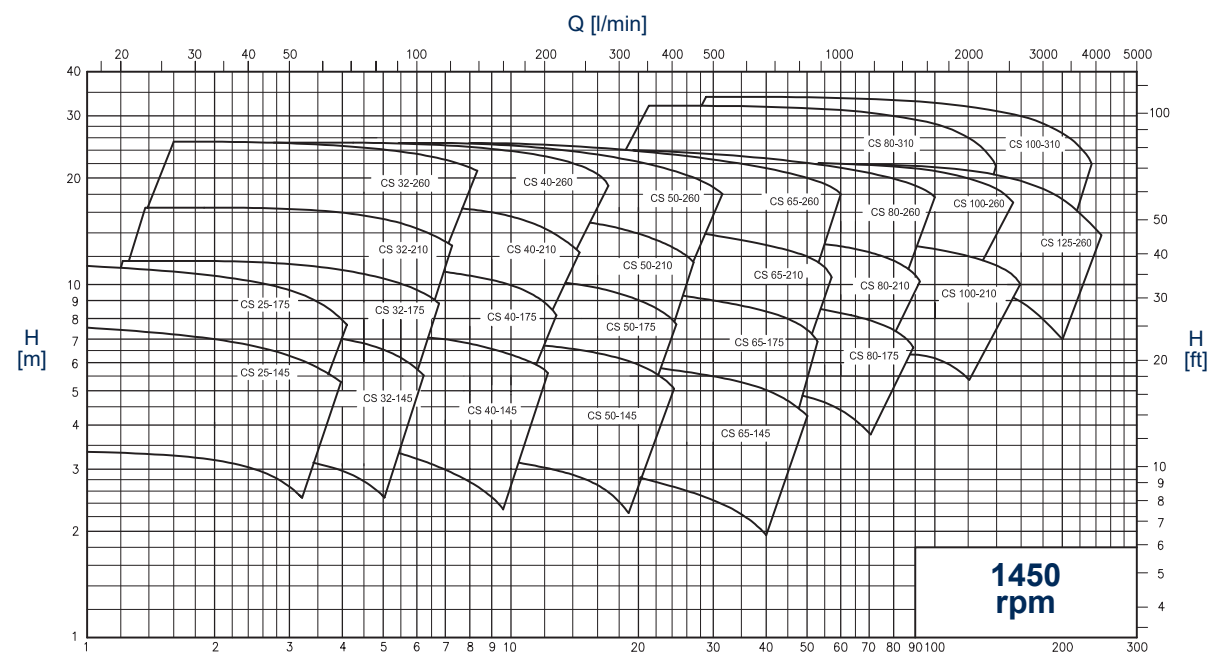
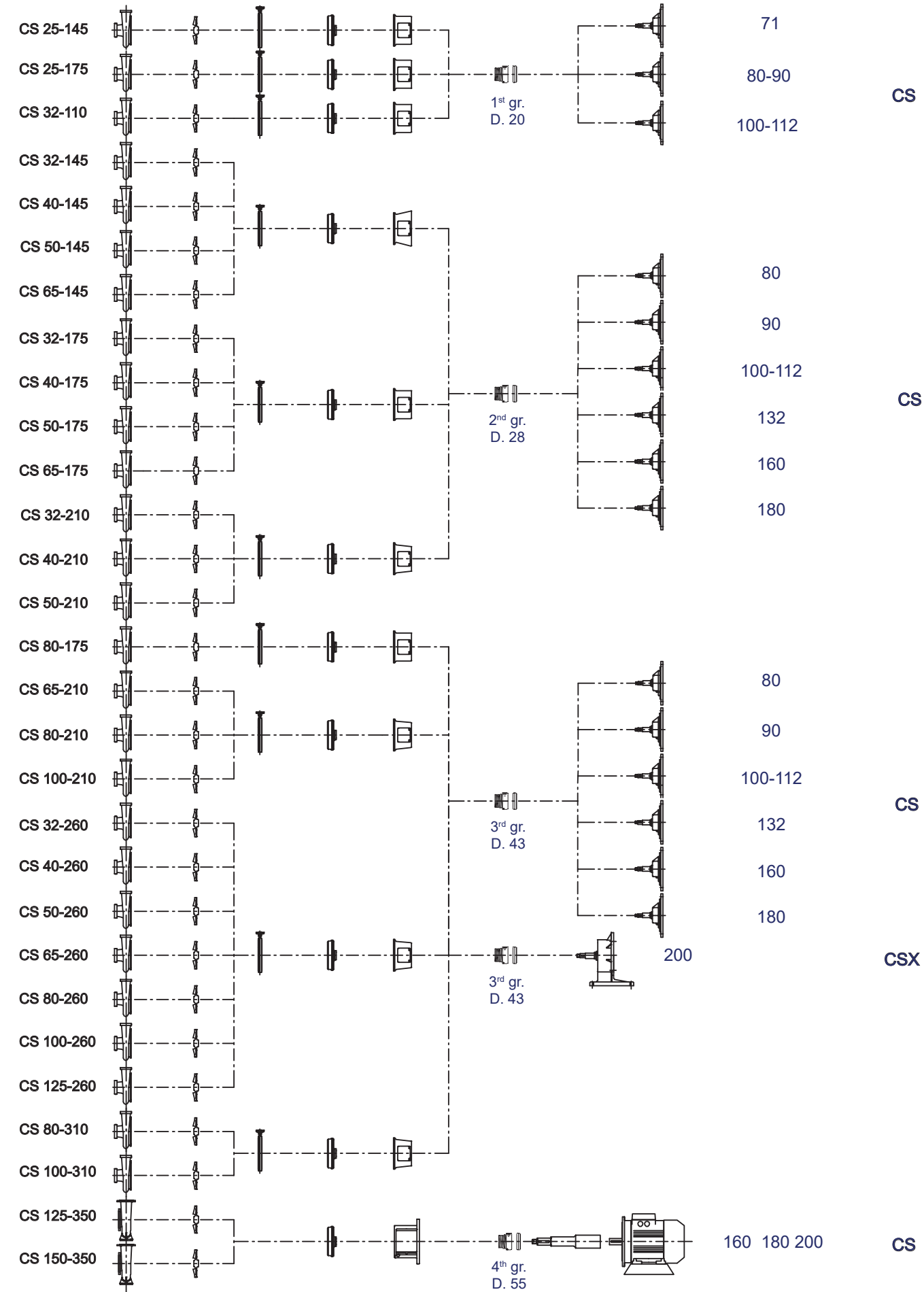


GENERAL DIAGRAMS
(Performance applies to H₂O at 20 °C, 1013 mbar. Data not binding)



A wide range of 29 models divided into 4 groups.



C.S.F. Inox S.p.A. Strada per Bibbiano, 7 - 42027 Montecchio E. (RE) - ITALY EU
 Ph +39.0522.869911 r.a. - Fx +39.0522.865454 - italia@csf.it - www.csf.it
Export Department • Commercial Étranger • Comercial Extranjero
 Ph +39.0522.869922 - Fx +39.0522.869841 - export@csf.it - www.csf.it



All the instructions, data and representations (in whatever way executed) listed in this publication are indicative and do not bind. C.S.F. does not stand surety or undertake any obligation for the utilisation of this document and for the information contained. In particular, it does not guarantee against omissions or errors of the data and drawings here indicated.
 Notice that the technical specifications, information and representations in this document are merely indicative and approximate.
 C.S.F. INOX reserves the right at any moment and without notice to modify the data, drawings and information indicated in this document.

DCATLCSGB 06/02/2025



CENTRIFUGAL SANITARY PUMPS
CS - CSX series

Closed coupled hygienic centrifugal pumps with open impellers. CS Series pumps meet the highest requirements of the food, pharmaceutical, chemical and water treatment industries. The pumps are designed to a modular concept, resulting in a large number of models and a massive performance range.

When combined with the extremely robust construction, these highly efficient pumps become ideal for any hygienic process system.

Wetted parts in CF-3M 1.4404 / AISI 316L stainless steel, investment cast and electro-chemically polished. Special internal finishes to 0,5 micron Ra are available on request (not on sizes 125 to 150). The clamp casing and seal design allows quick disassembly for inspection, cleaning and maintenance. It also enables the delivery port to be rotated to any position for easy installation (not on sizes 125 to 150).

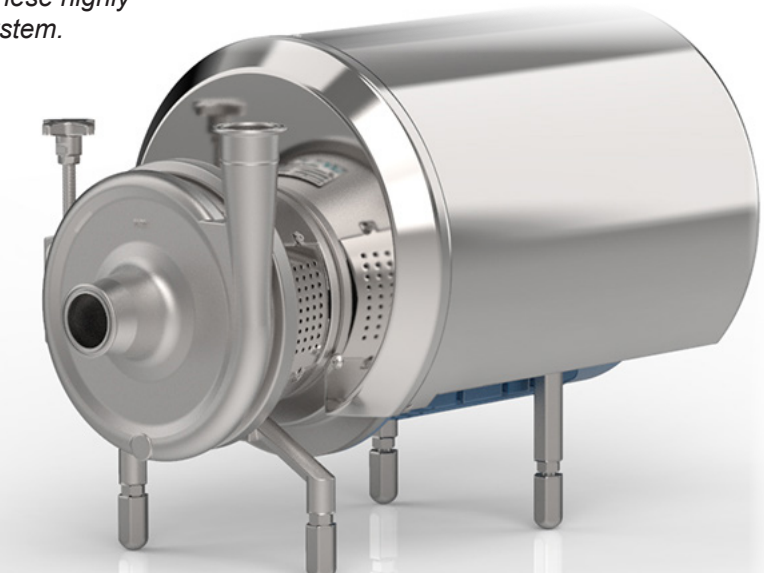
Separate IEC standard motor.

For aggressive products and environments, CS pumps can on special request, be manufactured in the following materials:

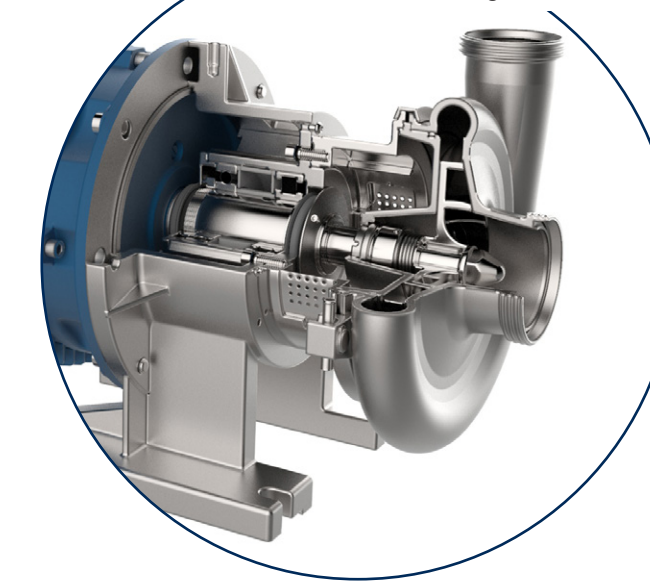
- Superduplex
- Nickel steel

Note: upon availability with CSF.

ATEX-compliant versions also available on request.



CS pump X execution, close coupled centrifugal pumps with separate support frame and grease lubricated bearings, for extremely arduous applications.



Special version equipped with an inducer in the suction port. This device is fitted immediately upstream of the impeller to reduce the NPSH required by the pump.

TECHNICAL DATA

Flow rates up to 500 m³/h
 Heads up to 100 m
 Maximum operating pressure 10 bar up to 100°C
 Temperature range -20°+ 100°
 (on request up to 140 °C for water and up to 190°C for food oil, to be specified on purchase order).
 High performance, with low NPSH values.

Mechanical seals:

With seats to EN 12756, ISO 3069 standards.
 Single internal mechanical seal
 Single external flushed mechanical seal
 Double external flushed mechanical seal

Elastomers (FDA Regulation (EC) No. 1935/2004):

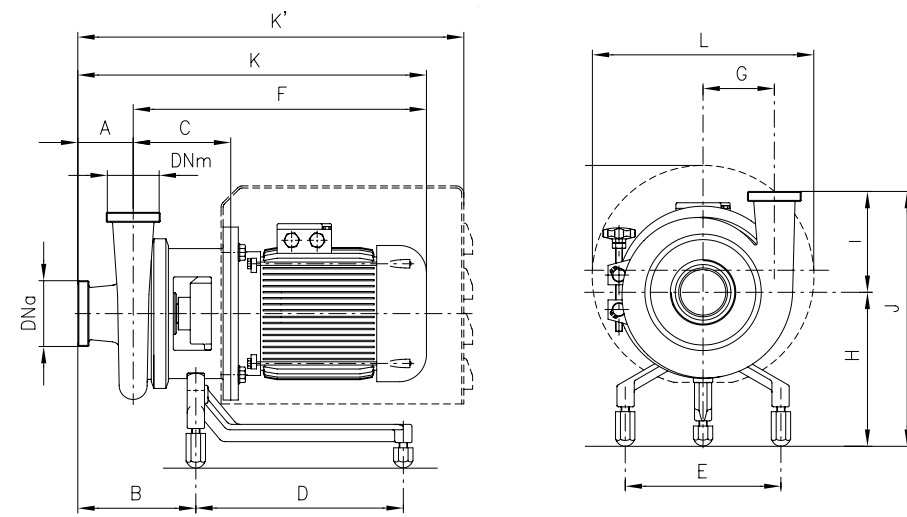
Nitrile (NBR)
 Ethylene propylene (EPDM)
 Special fluorocarbon seal
 Fluorocarbon seal (FPM - FKM)
 FEP
 FFPM - FFKM
 Silicone

Connections:

DIN - SMS - IDF - BS / RJT - DS - CLAMP and EN1092-1 PN16 flanges suitable for all international standards.

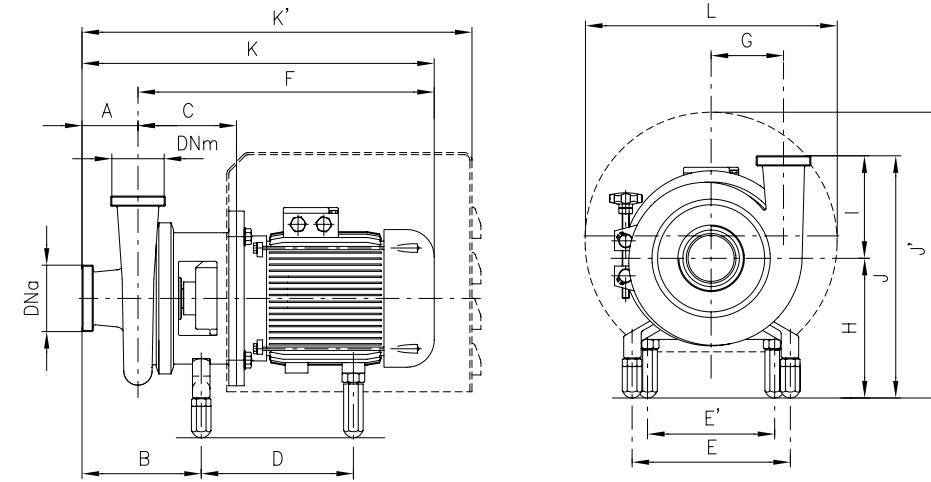
OVERALL DIMENSIONS

Dimensions not binding - DN = DIN 11851 male threaded connections with standard IEC/EN motors



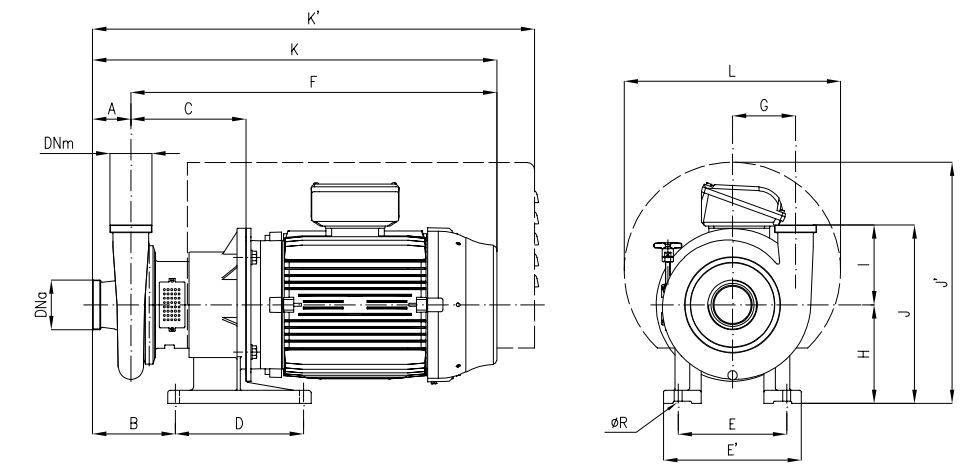
Pump type	IEC motor dimensions:	DNa	DNm	A	B	C	D	E	F	G	H	K	K'	I	J	J'	L
CS 25-145	71	32	25	75	144	117	190	178	335	81	158	410	532	145	303	300	239
	80					359			434			340					
	90					403			478			330					
CS 25-175	71	32	25	65	134	117	190	178	335	96	164	424	531	149	313	346	298
	80					359			468			306					
	90					403			468			306					
CS 32-110	100	40	32	70	137	112	190	178	466	65	149	519	536	110	259	353	239
	80					335			405			291					
	90					359			429			331					
CS 32-145	80	40	32	80	167	117	225	208	374	85	208	454	566	145	353	372	298
	90					418			498			330					
	100					455			535			330					
CS 32-175	100	40	32	80	167	112	225	213	467	95	213	455	567	150	363	385	298
	80					375			499			308					
	90					419			499			308					
CS 32-210	100	40	32	80	158	112	225	230	468	110	238	455	636	165	386	385	298
	80					375			499			308					
	90					419			499			308					
CS 32-260	100	50	32	90	184	112	225	221	492	140	238	533	601	172	393	385	298
	80					443			570			330					
	90					480			570			330					
CS 40-145	100	50	40	80	168	112	225	208	467	90	208	455	567	133	341	372	298
	80					375			498			308					
	90					418			498			308					
CS 40-175	100	50	40	80	169	112	225	213	467	95	213	457	569	150	363	377	298
	80					377			501			330					
	90					421			501			330					
CS 40-210	100	50	40	80	161	112	225	230	470	115	230	458	638	165	380	435	330
	80					377			501			330					
	90					421			501			330					

Pump type	IEC motor dimensions:	DNa	DNm	A	B	C	D	E	F	G	H	K	K'	I	J	J'	L
CS 40-260	90	50	40	100	194	163	231	225	443	145	221	543	611	172	393	385	298
	100					480			580			410					
	112					492			592			443					
CS 50-145	80	65	50	80	170	141	231	225	377	95	208	457	569	145	353	372	298
	90					421			501			370					
	100					458			538			430					
CS 50-175	100	65	50	80	169	141	231	225	377	100	213	457	569	150	363	377	298
	80					421			501			370					
	90					458			538			430					
CS 50-210	100	65	50	80	161	141	231	225	421	120	221	501	569	165	386	385	298
	80					421			501			402					
	90					458			538			443					
CS 50-260	100	65	50	90	185	165	301	225	481	145	238	571	671	175	413	443	330
	80					425			504			413					
	90					462			541			443					
CS 65-145	100	80	65	79	173	146	301	225	474	112	225	541	642	145	370	430	330
	80					424			504			363					
	90					461			553			377					
CS 65-175	100	80	65	80	172	145	301	225	473	120	230	541	641	150	380	435	330
	80					448			538			386					
	90					485			575			385					
CS 65-210	100	80	65	90	189	168	301	225	448	135	238	575	675	165	403	443	330
	80					485			587			403					
	90					497			597			443					
CS 65-260	100	80	65	100	198	168	301	225	484	155	238	584	684	205	443	443	330
	80					496			596			443					
	90					490			590			443					
CS 80-175	100	100	80	100	204	174	301	225	502	139	230	602	690	164	394	435	330
	80					487			587			394					
	90					499			599			435					
CS 80-210	100	100	80	100	201	171	301	225	487	145	238	587	687	165	403	443	330
	80					487			587			403					
	90					499			599			443					
CS 80-260	100	100	80	100	201	171	301	225	499	165	238	587	687	209	447	443	330
	80					499			599			443					
	90					499			599			443					



Pump type	IEC motor dimensions:	DNa	DNm	A	B	C	D	E	E'	F	G	H	K	K'	I	J	J'	L
CS 32-210	132 S	40	32	80	158	161	231	225	198	571	110	238	651	735	165	403	460	370
	132 M					206			254				546					
	160					446			733				478					
CS 32-260	132 S	50	32	90	184	185	231	225	198	595	140	238	685	769	172	410	460	370
	132 M					225			254				555					
	160					450			752				478					
CS 40-145	132 S	50	40	80	169	164	231	225	198	574	95	230	654	742	150	380	452	370
	132 M					169			254				546					
	160					265			735				478					
CS 40-175	132 S	50	40	80	161	164	231	225	198	574	115	238	654	738	165	403	546	478
	132 M					161			254				546					
	160					265			735				478					
CS 40-210	132 S	50	40	80	161	164	231	225	198	574	115	238	654	738	165	403	546	478
	132 M					164			254				546					
	160					208			735				478					
CS 40-260	132 S	50	40	100	194	185	231	225	198	595	145	238	695	779	172	410	460	370
	132 M					185			254				555					
	160					494			752				478					
CS 50-145	132 S	65	50	80	170	164	231	225	198	574	95	225	654	738	145	370	447	370
	132 M					164			254				546					
	160					265			735				478					
CS 50-175	132 S	65	50	80	169	164	231	225	198	574	100	230	654	738	150	380	452	370
	132 M					164			254				546					
	160					208			735				478					
CS 50-210	132 S	65	50	80	161	164	231	225	198	574	120	238	654	738	165	403	546	478
	132 M					161			254				546					
	160					208			735				478					
CS 50-260	132 S	65	50	90	186	228	231	225	198	574	145	247	845	943	175	422	555	478
	132 M					228			254				555					
	160					494			782				478					

PUMPS CSX SERIES FOR POWER OF 30/37 KW (MOTOR SIZE IEC 200)



Pump type	IEC motor dimensions:	DNa	DNm	A	B	C	D	E	E'	F	G	H	K	K'	ØR	I	J	J'	L
CSX 50-260		65	50	90	201	296	335	284	360	915	145	258	1005	1141	21	175	433	613	530
CSX 65-260		80	65	100	213	298				917	155		1017	1153					
CSX 80-175		100	80	100	219	304				923	139		1023	1159					
CSX 80-210		100	80	100	216	301				920	145		1020	1156					
CSX 80-260		100	80	100	216	301				920	165		1020	1156					
CSX 80-310		100	80	100	218	303				964	200		1064	1154					
CSX 100-210		125	100	111	234	308				927	161		1038	1174					
CSX 100-260	125	100	115	233	303	922													