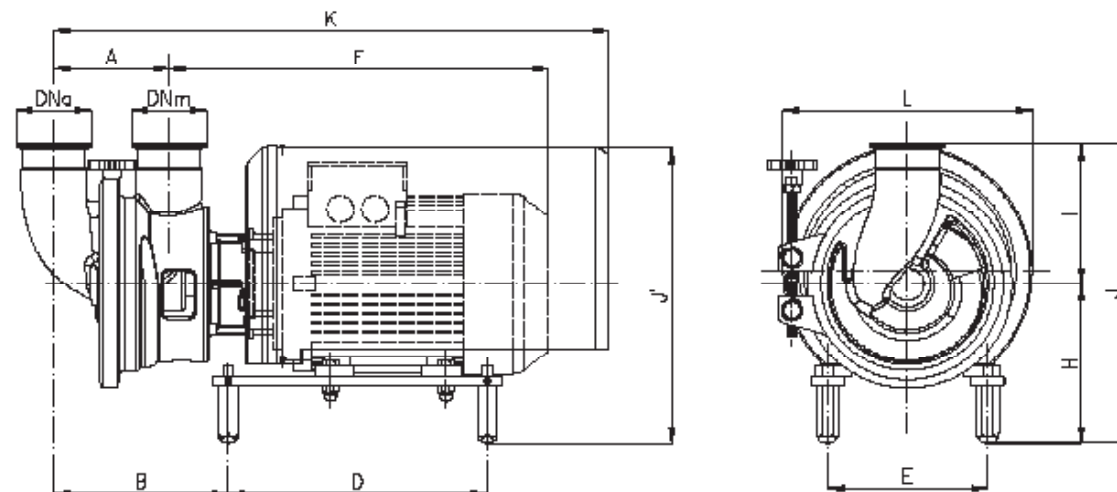


Pump type	IEC motor dimensions:	DNa	DNm	A	B	C	D	E	F	G	H	K	K'	I	J	J'	L	
CSA 50-210	90	2 1/2"	2"	80	175	141	254	140	422	120	240	502	569	168	408	445	330	
	100				161	142	314	160	454			555	639					
	112				168	190	475	581	737			661	737					
	132 S				180	164	389	216	537			682	737					
	132 M				243	208	460	254	686			937	280					766
CSA 50-260	100	2 1/2"	2"	90	173	223	600	279	783	145	270	567	672	179	449	475	330	
	112				194	165	314	160	477			588	672					
	160				201	165	314	190	498			588	672					
	180				273	228	600	279	788			280	796					970
	180				188	228	600	279	788			305	878					1087
CSA 65-145	80	3"	3"	79	172	145	254	125	379	112	245	458	572	138	383	409	298	
	90				178	145	254	140	426			505	572					
	100				164	146	314	160	458			537	642					
	112				171	190	479	190	479			558	642					
	132 S				183	168	389	216	541			685	255					620
CSA 65-175	132 M	3"	3"	80	246	212	460	254	690	120	280	769	940	138	418	543	430	
	160				178	144	254	140	425			505	572					
	180				164	145	314	160	457			537	642					
	100				171	190	478	190	478			558	642					
	132 S				183	167	389	216	540			685	255					620
CSA 65-210	160	3"	3"	90	246	211	460	254	689	135	280	769	940	158	418	543	430	
	180				174	224	600	279	784			305	864					1073
	100				212	168	254	140	449			539	605					
	112				198	169	314	160	481			571	676					
	132 M				205	169	314	190	502			592	676					
CSA 65-260	160	3"	3"	100	276	231	460	254	709	155	285	663	728	193	478	507	370	
	180				191	231	600	279	791			305	881					1090
	100				207	168	314	160	480			580	685					
	112				214	190	501	190	501			601	685					
	132 S				226	190	389	216	563			728	285					663
CSA 80-175	132 M	4"	3"	100	285	230	460	254	708	139	305	808	983	164	439	480	330	
	160				200	600	279	790	305			890	1099					
	180				231	174	315	160	486			586	691					
	100				220	174	315	160	486			607	734					
	112				231	195	389	216	568			668	734					
CSA 80-210	132 S	4"	3"	100	280	236	460	254	714	145	285	666	731	164	449	507	370	
	160				206	600	279	796	305			896	1105					
	180				210	171	314	160	483			583	688					
	100				217	171	314	190	504			604	731					
	112				229	193	389	216	566			666	731					
CSA 80-260	132 M	4"	3"	100	288	233	460	254	711	165	305	893	1102	209	509	522	370	
	160				203	600	279	793	305			893	1102					
	180				210	171	314	160	483			583	688					
	100				217	171	314	190	504			604	731					
	112				229	193	389	216	566			666	731					
CSA 100-210	132 S	5"	4"	111	288	233	460	254	711	161	305	811	986	214	519	527	370	
	160				221	240	600	279	800			911	1120					
	180				221	240	600	279	800			911	1120					
CSA 100-260	132 M	5"	4"	115	246	195	389	216	612	186	325	727	803	216	541	588	430	
	160				305	235	460	254	713			828	1004					
	180				305	235	460	254	713			828	1004					

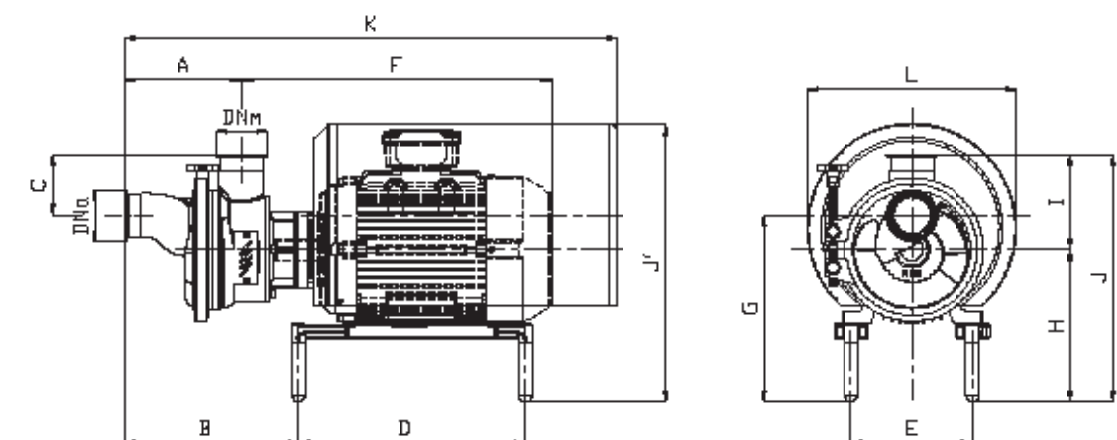
OVERALL DIMENSIONS ASH series  
Dimensions not binding - DN = DIN 32676-C clamp connection with standard IEC/EN motors

ASH STANDARD ports



Pump type	kW	DNa	DNm	A	B	D	E	F	H	K	I	J	J'	L
ASH 40	1,1/1,5	1" 1/2"	1" 1/2"	91,3	204	270	140	408,5	228,5	500	138,6	367	430	302,5
	2,2/3				201	285	150	477	238,5	616		377	466	333
ASH 50	2,2/3	2"	2"	119	241	285	150	477	238,5	644,5	148,6	387	466	333
	4				221	315	180	453,6	250,5			399	478	333
	5,5				214	400	216	539	270,5	738,5		419	492	372
ASH 60	4	3"	3"	139,5	248	315	180	460	250,5	671,5	168,6	419	478	333
	5,5/7,5/9,2				241	400	216	548,5	270,5	765,5		439	492	372
ASH 65	5,5/7,5/9,2	3"	3"	140	241	400	216	548,5	270,5	766	168,6	439	492	372
	11/15				267	460	254	696	280,5	1040		449	579	480

ASH HORIZONTAL suction



Pump type	kW	DNa	DNm	A	B	C	D	E	F	G	H	K	I	J	J'	L
ASH 40	1,1/1,5	1" 1/2"	1" 1/2"	141,9	254,5	68,6	270	140	408,5	298,5	228,5	644	138,6	367	430	302,5
	2,2/3				251,5		285	150	477	308,5	238,5	667		377	466	333
ASH 50	2,2/3	2"	2"	166	276	88,6	285	150	477	298,5	238,5	691,5	148,6	387	466	333
	4				268		315	180	453,6	308,5	250,5			399	478	
	5,5				261	400	216	539	330,5	270,5	785,5	419		492	372	
ASH 60	4	3"	3"	207,6	316	108,6	315	180	460	310,5	250,5	739,5	168,6	419	478	333
	5,5/7,5/9,2				309		400	216	548,5	330,5	270,5	833,5		439	492	372
ASH 65	5,5/7,5/9,2	3"	3"	201	302,5	108,6	400	216	548,5	330,5	270,5	827	168,6	439	492	372
	11/15				328		460	254	696	340,5	280,5	1101		449	579	480



C.S.F. Inox S.p.A. Strada per Bibbiano, 7 - 42027 Montecchio E. (RE) - ITALY EU  
Ph +39.0522.869911 r.a. - Fx +39.0522.865454 - italia@csf.it - www.csf.it  
Export Department • Commercial Étranger • Comercial Extranjero  
Ph +39.0522.869922 - Fx +39.0522.869841 - export@csf.it - www.csf.it



All the instructions, data and representations (in whatever way executed) listed in this publication are indicative and do not bind. C.S.F. does not stand surety or undertake any obligation for the utilisation of this document and for the information contained. In particular, it does not guarantee against omissions or errors of the data and drawings here indicated. Notice that the technical specifications, information and representations in this document are merely indicative and approximate. C.S.F. INOX reserves the right at any moment and without notice to modify the data, drawings and information indicated in this document.

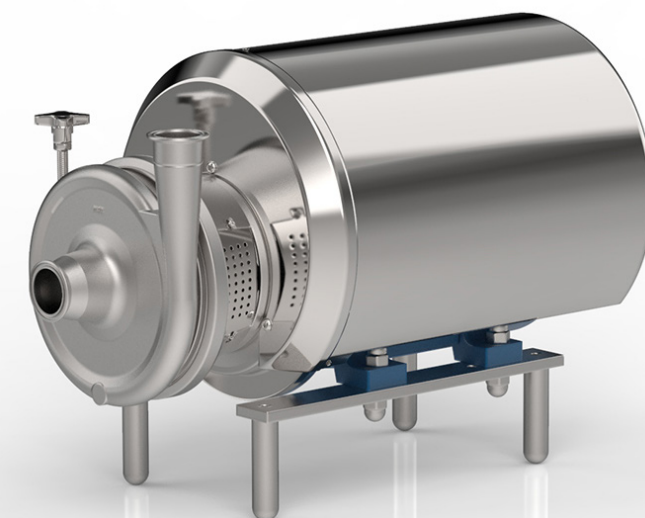


HYGIENIC CENTRIFUGAL PUMPS  
CSA series

Sanitary centrifugal pumps in close-coupled version, with independent support.  
Designed, tested and approved according to EHEDG (European Hygienic Engineering & Design Group) specifications and 3-A Sanitary Standards, for use essentially in the food and pharmaceutical industries where specific health regulations are in force. Consequently, modular construction concepts have been created in suitable executions.

- Main features:  
- Open impeller with excellent performance and low NPSH values  
- Made entirely of CF-3M 1.4404 / AISI 316L grade stainless steel  
- Investment castings with special finishes with Ra up to 0.5 microns.  
- Complete with adjustable stainless steel support feet - Support with grease lubricated bearings.  
- Closure of the body with a clamp allows for quick and easy disassembly for inspection, cleaning and maintenance operations; The delivery port can be rotated to any position. Executions suitable for motors complying with standards: IEC 34-1, VDE 0530T1, NF C51-111, BS5000 PART 99, NEMA NG1 PART.1.

ATEX versions also available on request.

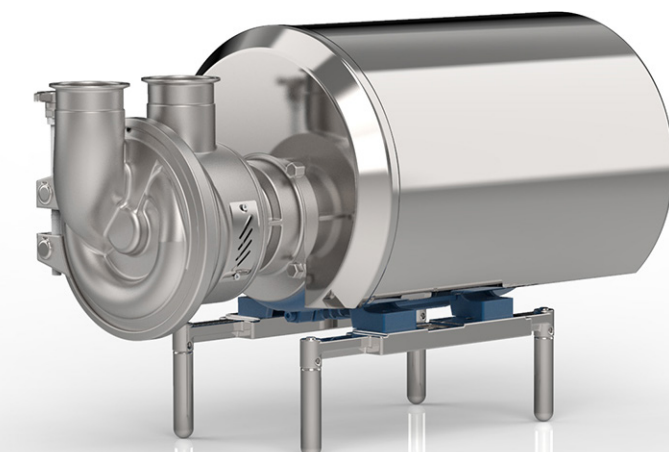


SANITARY SELF-PRIMING PUMPS  
ASH series

Self-priming sanitary centrifugal pumps in close-coupled version, with independent support.  
Approved according to 3-A Sanitary Standards. Made for different application needs, they are a top product thanks to the design features, materials and technologies used. They can handle liquids which release gas or create foam and with the suction pipe only partly filled.

- Main features:  
Made entirely from CF-3M 1.4404/ AISI 316L stainless steel. Investment castings and special finishes with Ra up to 0.8 microns. Electrochemical polishing treatment. Adjustable stainless steel support feet and grease lubricated bearings. Casing closed by means of a clamp. Easily to disassemble for inspection, cleaning and maintenance operations. Executions suitable for motors complying with standards: IEC 34-1, VDE 0530T1, NF C51-111, BS5000 PART 99, NEMA NG1 PART.1.

ATEX versions also available on request.



**TECHNICAL DATA CSA series**

Flow rates up to 300 m³/h  
 Head values up to 100 m  
 Maximum operating pressure 10 up to 100°C  
 Temperature range -20°+ +100°  
 High performance, with low NPSH values.

**Mechanical seals:**

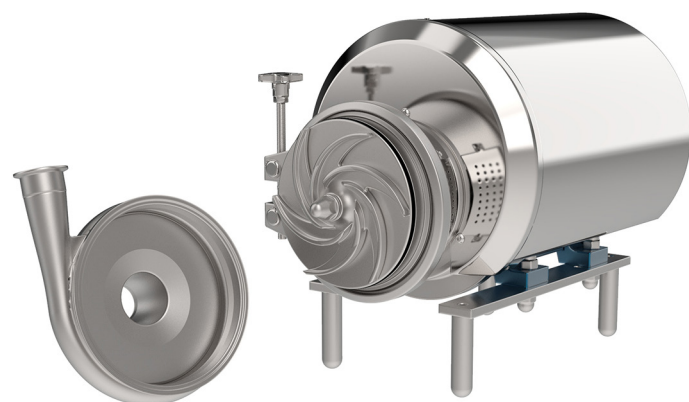
With seats to EN 12756, ISO 3069 standards.  
 Single internal mechanical seal  
 Single external mechanical seal  
 External flushed mechanical seal + TMR

**Elastomers (FDA Regulation (EC) No. 1935/2004):**

EPDM  
 FPM - FKM  
 FFPM - FFKM  
 FEP

**Connections:**

CLAMP DIN 32676-C and DIN 11864



**TECHNICAL DATA ASH series**

Flow rates up to 40 m³/h  
 Head values up to 35 m (a 50 Hz)  
 Maximum operating pressure 6 bar up to 100°C  
 Temperature range -20°+ +100°

**Mechanical seals:**

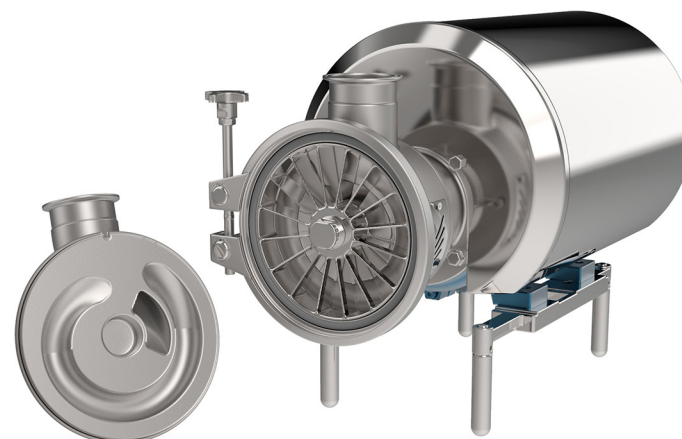
Single internal mechanical seal, protected and balanced, with seats according to EN 12756, ISO 3069.

**Elastomers (FDA Regulation (EC) No. 1935/2004):**

EPDM  
 FPM - FKM  
 FFPM - FFKM  
 FEP

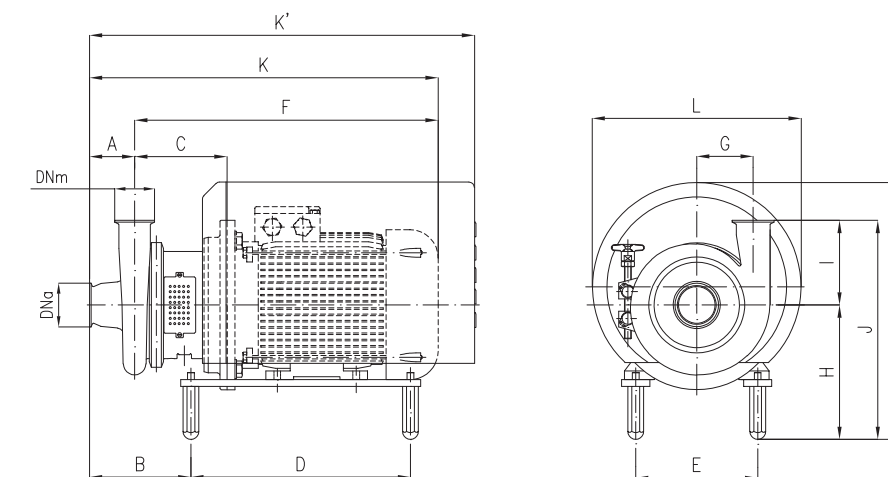
**Connections:**

CLAMP DIN 32676-C and DIN 11864

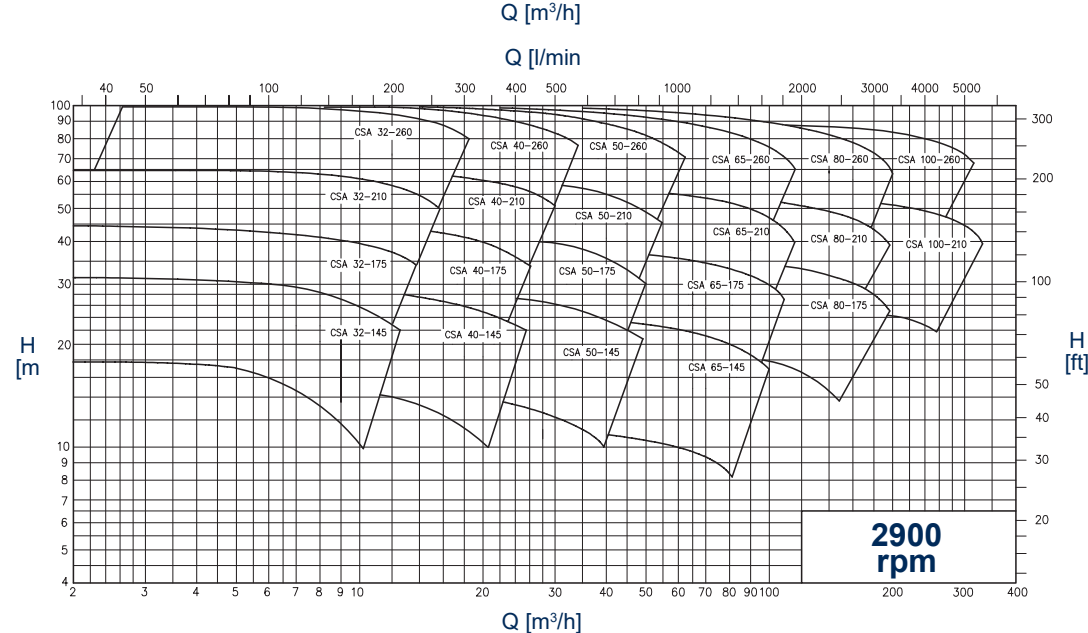
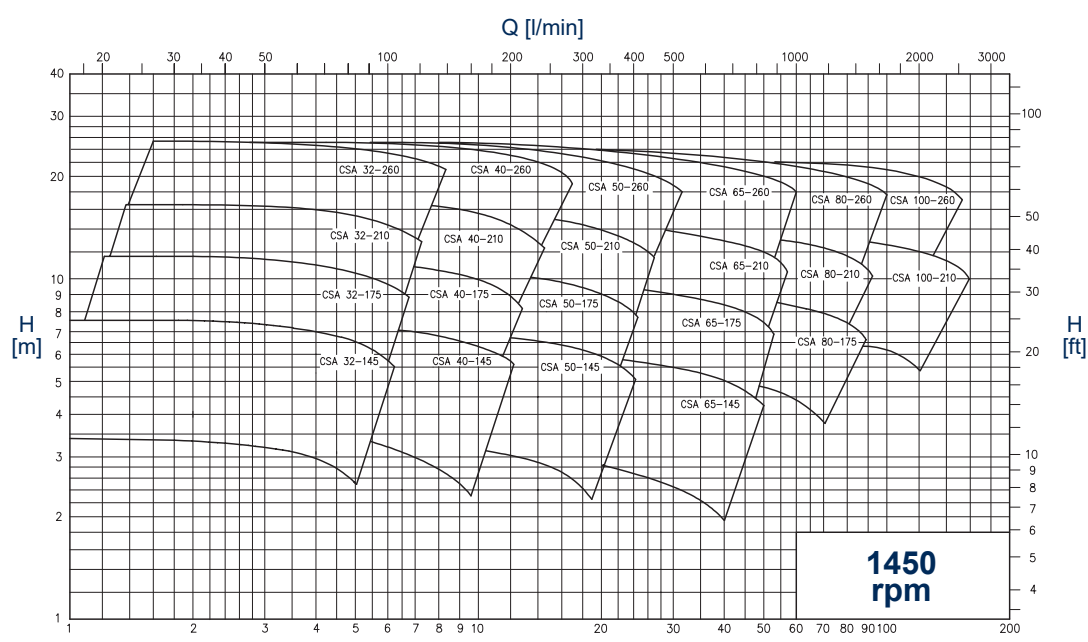


**OVERALL DIMENSIONS CSA series**

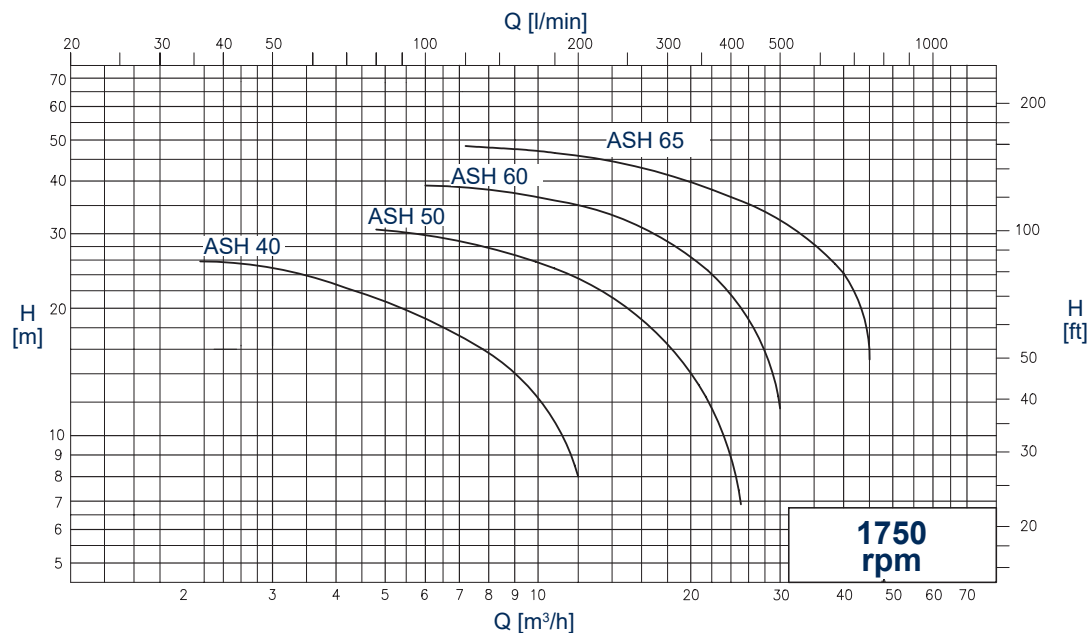
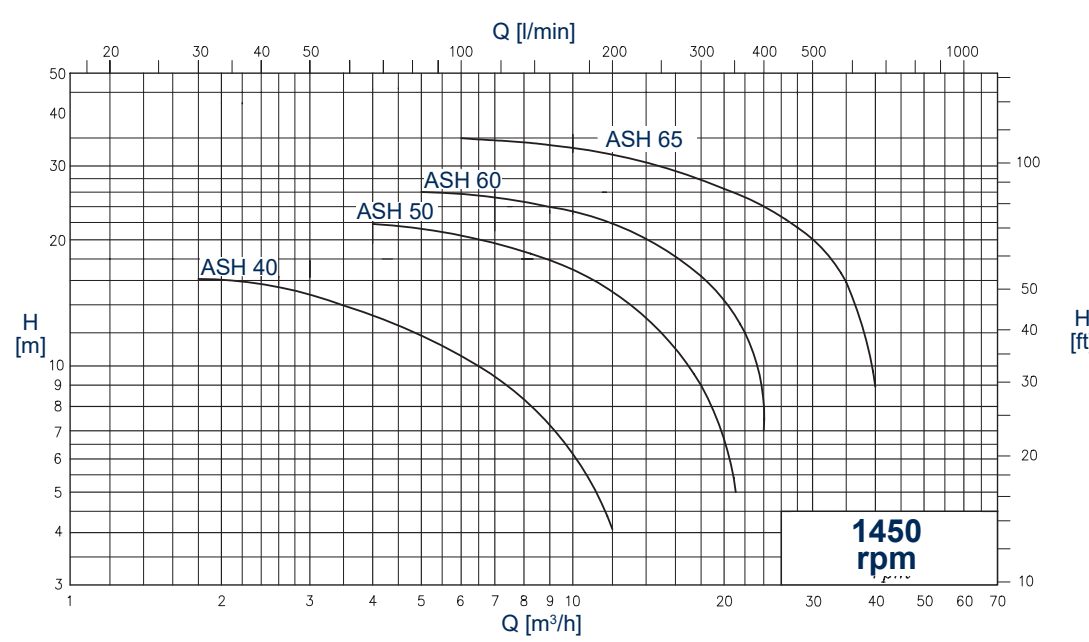
Dimensions not binding - DN = "Clamp" DIN 32676-C connections, with standard IEC/EN motors



**GENERAL DIAGRAMS CSA series**  
 (Performance applies to H<sub>2</sub>O at 20 °C, 1013 mbar, Data not binding)



**GENERAL DIAGRAMS ASH series**  
 (Performance applies to H<sub>2</sub>O at 20 °C, 1013 mbar, Data not binding)



Pump type	IEC motor dimensions:	DNa	DNm	A	B	C	D	E	F	G	H	K	K'	I	J	J'	L
CSA 32-145	80	1 1/2	1 1/2	80	166	138	254	125	372	85	220	452	566	148	368	384	298
	172				140	419	230	499	378		394	330					
	100				158	139	314	160	451		240	531	388		445	330	
	112				165	139	314	190	473		230	553	378		435	330	
CSA 32-175	80	1 1/2	1 1/2	80	167	139	254	125	373	95	220	453	567	148	368	384	298
	90				173	140	420	220	453		378	394	330				
	100				159	140	314	160	452		240	532	388		445	330	
	112				166	140	314	190	473		230	553	378		435	330	
CSA 32-210	80	1 1/2	1 1/2	80	167	139	254	125	373	110	230	453	567	168	398	402	298
	90				173	139	254	140	420		240	532	408		445	330	
	100				159	160	452	230	553		637	398	435		330		
	112				166	140	314	190	473		230	553	378		435	330	
CSA 32-260	132 S	2"	1 1/2	90	177	161	389	216	534	140	255	614	680	168	423	477	370
	132 M				178	161	389	216	578		280	658	735		448	543	430
	160				241	206	460	254	684		280	764	935		448	543	430
	90				207	163	254	140	444		280	534	601		424	298	
CSA 40-145	100	2"	2"	80	193	164	314	160	476	90	260	566	671	133	428	465	330
	112				200	164	314	190	497		260	587	671		465	330	
	132 S				211	185	389	216	558		280	648	714		448	543	430
	132 M				211	185	389	216	602		280	693	769		448	543	430
CSA 40-175	80	2"	2"	80	160	141	254	125	375	95	220	455	569	150	370	384	298
	90				167	139	254	140	422		220	453	567		353	384	298
	100				173	139	254	140	420		230	501	637		363	394	298
	112				159	140	314	160	452		240	532	637		373	445	330
CSA 40-210	80	2"	2"	80	168	141	254	125	375	115	220	455	569	160	370	384	298
	90				175	140	422	230	502		230	502	639		380	394	298
	100				161	142	314	160	454		240	534	639		390	445	330
	112				168	142	314	190	475		230	555	639		380	435	330
CSA 40-260	132 S	2"	2"	100	180	164	389	216	537	145	255	617	682	172	405	477	370
	132 M				180	164	389	216	581		280	661	737		405	477	370
	160				243	208	460	254	686		280	766	937		430	543	430
	90				217	163	254	140	444		260	544	611		440	298	
CSA 50-145	80	2 1/2	2"	80	169	141	254	125	374	95	220	454	569	139	359	384	298
	90				175	140	422	230	502		230	502	639		369	394	298
	100				161	142	314	160	454		240	534	639		379	445	330
	112				168	142	314	190	475		230	555	639		369	435	330
CSA 50-175	132 S	2 1/2	2"	80	180	164	389	216	537	100	255	617	682	154	394	477	370
	132 M				180	164	389	216	581		280	661	737		409	477	370
	160				243	208	460	254	686		280	766	937		434	543	430
	90				169	141	254	125	374		230	454	569		384	394	298